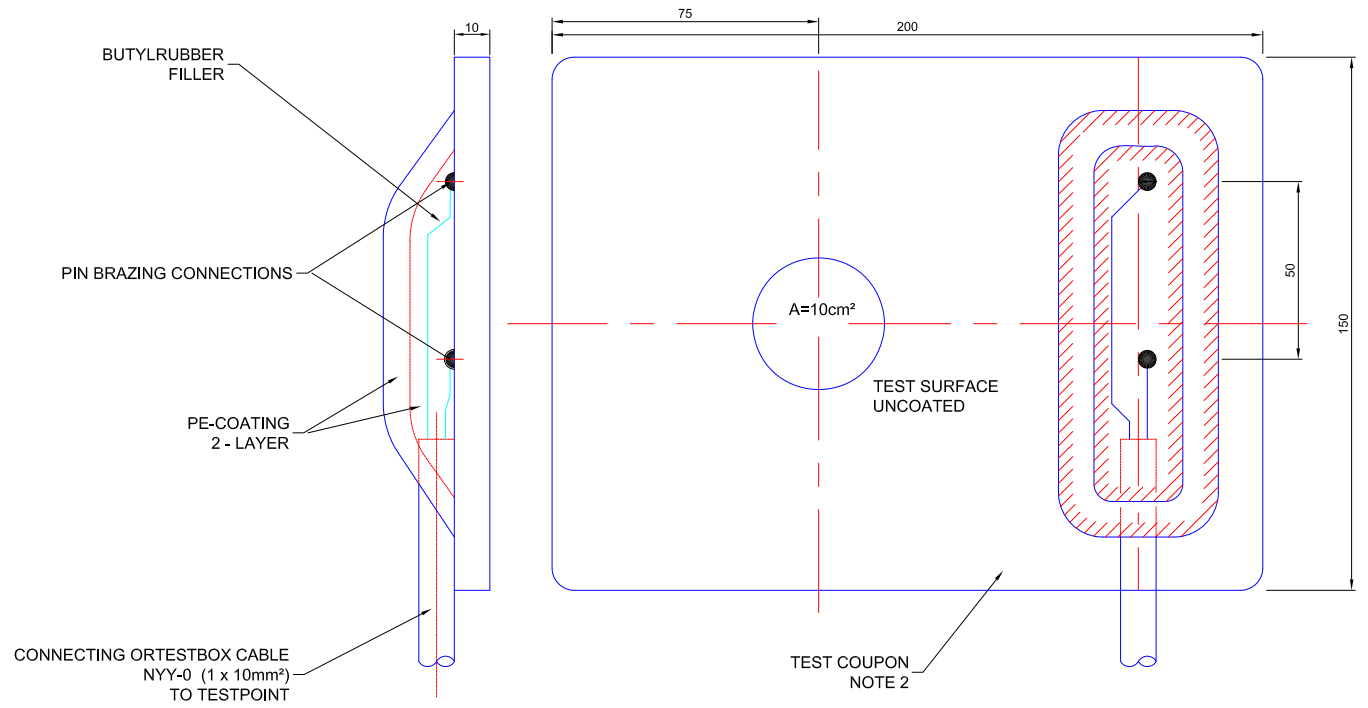
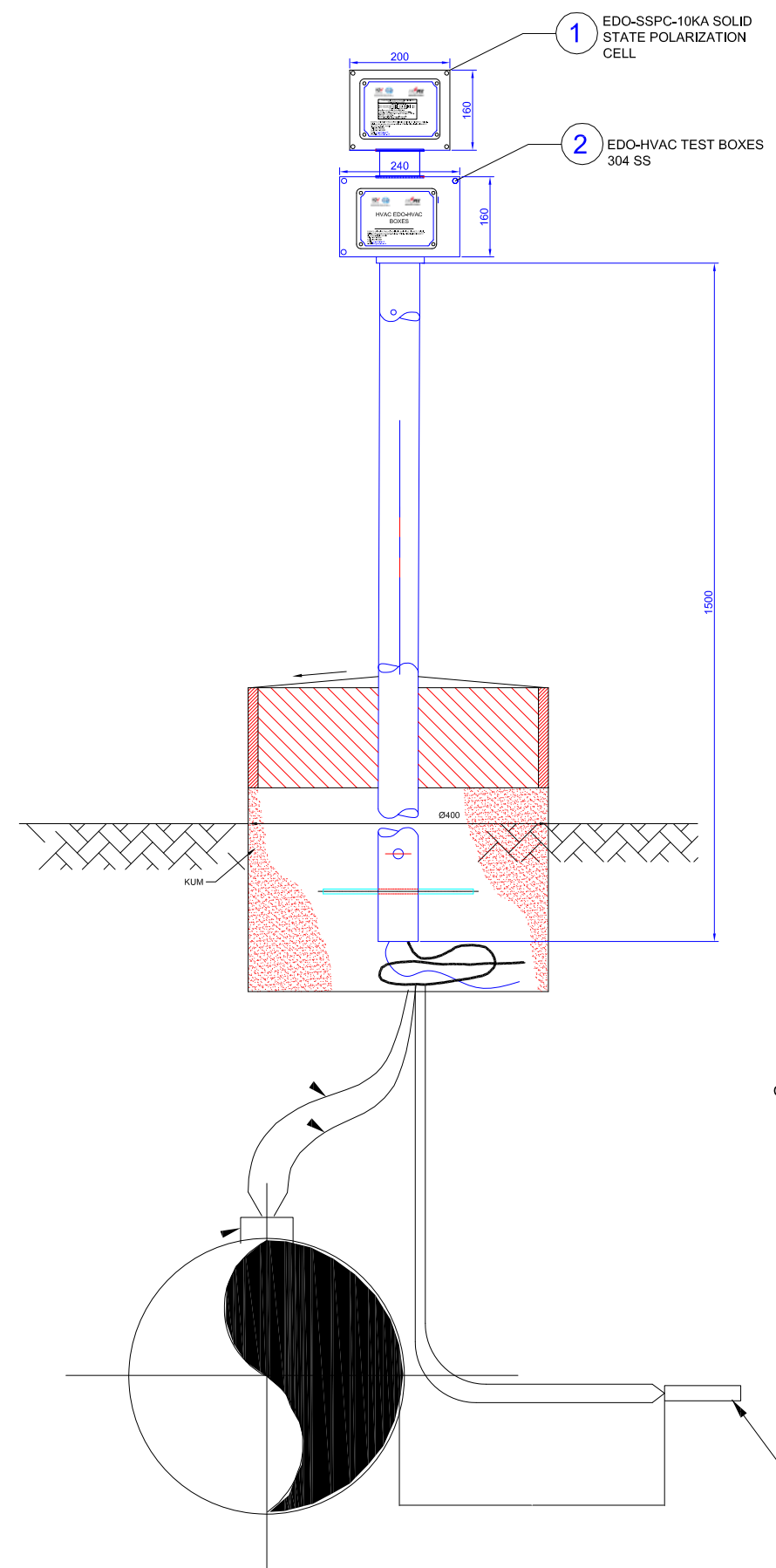


THIS DRAWING BELONGS TO EDOPEC  
INS. LTD. STI. CAN'T BE COPIED  
AND USED WITH OUT PERMISSION.



- NOTES :**
1. ALL DIMENTION ARE MM .
  2. MATERIAL İS 1018 alloy steel or equivalent  
COATING İS 400 MICRON EPOKSI

Rev. No.	Date	Description	Prepared	Checked	Approved	Checked	Approved
A	29.04.2020	ISSUED FOR REVIEW	H.A.	A.G.	E.D.	O.D.	M.F.
			Orfjnatör				ATAKAS

	<b>EDOPEC ENERJİ PETROL MÜHENDİSLİK SANAYİ VE TİCARET LİMİTED ŞİRKETİ</b>	
	<b>EDO-HVAC-TEST BOXES CORROSION COUPON CONNECTION DETAIL</b>	
Project Document No.		Rev.
Head Office: Fahiye Mah. 1219 Sokak Güranlar Apt. (Kapı No: 15) Kat:2 No:6 Pk-33110 Yenışehir MERSİN-TÜRKİYE www.edopez.com -info@edopez.com		Scale <b>A</b> / 1/5
Org. Code	Doc. Type	Prj. No.
Disc. Code	Unit Code	Prj. Year
Prj. Type	Prj. No.	Prj. Seq. No.
Prj. Year	Prj. Seq. No.	DCC. Seq. No.
Page.	1	1