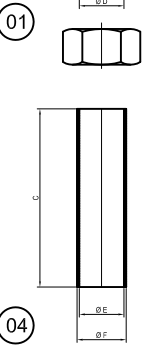


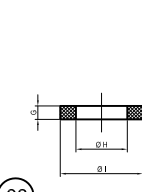
SAPLAMA EBADLARI (2 Adet Somunlu)

FLANŞ	2"	3"	4"	6"	8"	10"	12"	14"	16"	18"	20"	22"	24"	26"
A	100	105	105	120	125	135	140	155	160	165	175	-	190	200
B	30	30	40	40	40	40	45	45	50	50	60	-	60	60
Ø D	M14	M14	M14	M18	M18	M22	M22	M24	M24	M27	M27	-	M30	M36
Adedi	4	4	8	8	8	12	12	12	16	16	20	-	20	24



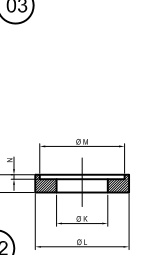
CİVATA KILIFI EBADLARI

FLANŞ	2"	3"	4"	6"	8"	10"	12"	14"	16"	18"	20"	22"	24"	26"
C	65	75	75	78	84	87	91	97	100	106	113	-	122	164
Ø E	14.2	14.2	14.2	18.2	18.2	22.2	22.2	24.2	24.2	27.2	27.2	-	30.2	36.2
Ø F	16	16	16	20	20	24	24	26	26	29	29	-	32	38
Adedi	4	4	8	8	8	12	12	12	16	16	20	-	20	24



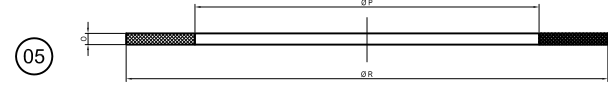
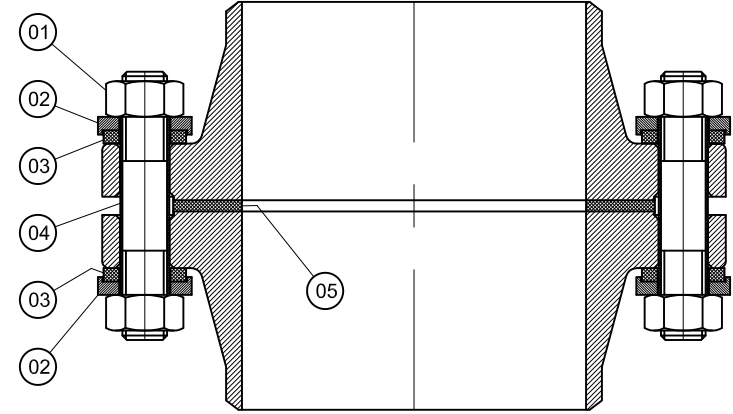
RONDELA (İZOLASYON)

FLANŞ	2"	3"	4"	6"	8"	10"	12"	14"	16"	18"	20"	22"	24"	26"
G	5	5	5	5	5	5	5	5	5	5	6	-	6	6
Ø H	17	17	17	21	21	25	25	29	29	30	30	-	33	39
Ø I	26	26	26	34	34	37	37	42	42	48	48	-	53	64
Adedi	8	8	16	16	16	24	24	24	32	32	40	-	40	48



RONDELA (ÇELİK)

FLANŞ	2"	3"	4"	6"	8"	10"	12"	14"	16"	18"	20"	22"	24"	26"
J	8	8	8	8	8	8	8	8	8	8	10	-	10	10
Ø K	17	17	17	21	21	25	25	29	29	30	30	-	33	39
Ø L	32	32	32	40	40	43	43	48	48	55	55	-	60	72
Ø M	27	27	27	35	35	38	38	43	43	49	49	-	54	65
N	2	2	2	2	2	2	2	2	2	2	2	-	2	2
Adedi	8	8	16	16	16	24	24	24	32	32	40	-	40	48



CONTA

FLANŞ	2"	3"	4"	6"	8"	10"	12"	14"	16"	18"	20"	22"	24"	26"
O	4	4	4	4	4	4	4	4	4	4	5	-	5	5
Ø P	52	78	102	154	203	254	304	336	387	438	489	-	590	624
Ø R	92	127	157	216	270	324	381	413	470	533	584	-	692	749

Rev. No.	Date	Description	Prepared	Checked	Approved	Signature
A	19.09.2015	ISSUED FOR REVIEW	T.K.	E.D.	E.D.	E.T.

EDOPEC		EDOPEC ENERJİ PETROL MÜHENDİSLİK SANAYİ VE TİCARET LİMİTED ŞİRKETİ						
Document Title		İZOLELİ FLANŞ BAĞLANTI ELEMANLARI 150 Class (F Tipi)						
Project Document No.		Rev. A						
Scale		-						
EDOPEC	DRG	CODE	CDR	INT	XXXX	15	558	685
Doc. Code	Doc. Code	Unit Code	PC. Type	PC. Type	Sec. No.	Sec. No.	Page No.	Page No.