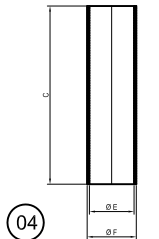


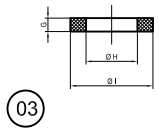
SAPLAMA EBADLARI (2 Adet Somunlu)

FLANŞ	2"	3"	4"	6"	8"	10"	12"	14"	16"	18"	20"	22"	24"	26"
A	105	125	135	145	160	175	190	195	210	215	230	240	260	280
B	35	40	40	45	50	55	55	55	60	65	70	75	80	85
Ø D	M14	M18	M18	M18	M22	M24	M27	M27	M30	M33	M33	M33	M36	M40
Adedi	8	8	8	12	12	12	16	20	20	24	24	24	24	28



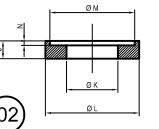
ÇİVATA KILIFI EBADLARI

FLANŞ	2"	3"	4"	6"	8"	10"	12"	14"	16"	18"	20"	22"	24"	26"
C	70	80	90	105	115	125	130	135	145	150	160	170	175	180
Ø E	14.2	18.2	18.2	18.2	22.2	24.2	27.2	27.2	30.2	30.2	30.2	30.2	36.2	40.2
Ø F	16	20	20	20	24	26	29	29	32	32	32	32	38	42
Adedi	8	8	8	12	12	12	16	20	20	24	24	24	24	28



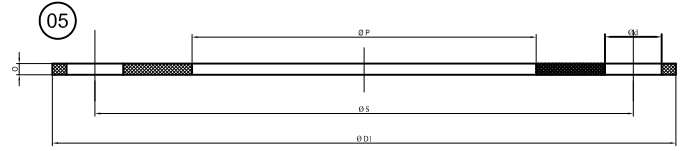
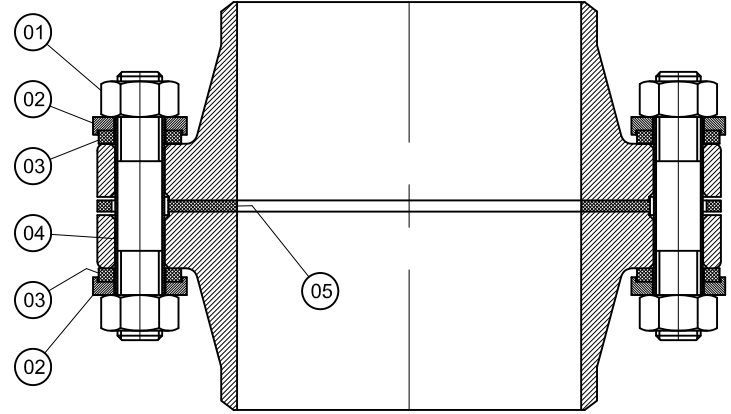
RONDELA (İZOLASYON)

FLANŞ	2"	3"	4"	6"	8"	10"	12"	14"	16"	18"	20"	22"	24"	26"
G	5	5	5	5	5	5	5	5	5	5	6	6	6	6
Ø H	17	21	21	21	25	27	30	30	33	33	33	33	39	43
Ø I	30	35	35	35	40	46	50	50	56	56	56	56	66	76
Adedi	16	16	16	16	24	24	24	32	40	40	48	48	48	56



RONDELA (ÇELİK)

FLANŞ	2"	3"	4"	6"	8"	10"	12"	14"	16"	18"	20"	22"	24"	26"
J	6	6	8	8	8	8	8	8	8	8	10	10	10	10
Ø K	17	21	21	21	25	27	30	30	33	33	33	33	39	43
Ø L	35	40	40	40	45	50	55	55	61	61	61	61	71	80
Ø M	31	36	36	36	41	47	51	51	57	57	57	57	67	77
N	2	2	2	2	2	2	2	2	2	2	3	3	3	3
Adedi	16	16	16	16	24	24	24	32	40	40	48	48	48	56



CONTA

FLANŞ	2"	3"	4"	6"	8"	10"	12"	14"	16"	18"	20"	22"	24"	26"
O	4	4	4	5	5	5	5	5	5	5	6	6	6	6
Ø P	52	78	102	154	202	254	303	333	381	428	477	529	574	624
Ø S	127	168	200	270	330	387	450	514	571	628	685	-	812	876
ØD1	165	210	254	318	381	444	521	584	648	711	775	-	914	971
Ø d	19	22	22	22	26	29	32	32	32	35	35	-	41	45

Rev. No.	Date	Description	T.K.	E.D.	E.D.	E.T.
A	09.09.2015	ISSUED FOR REVIEW				
			Prepared	Checked	Approved	Drawn
			OK/Not OK			

EDOPEC		EDOPEC ENERJİ PETROL MÜHENDİSLİK SANAYİ VE TİCARET LİMİTED ŞİRKETİ	
Document Title		Project Document No.	
İZOLELİ FLANŞ BAĞLANTI ELEMENLARI 300 Class (E Tipi)			
Revizyonlar		Revizyonlar	
Revizyon No.	Tarih	Revizyon No.	Tarih
1		1	
Scale		Scale	
A		A	