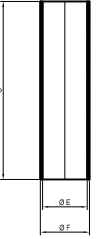


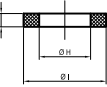
01



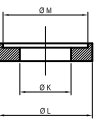
04



03



02



SAPLAMA EBADLARI (2 Adet Somunlu)

FLANŞ	2"	3"	4"	6"	8"	10"	12"	14"	16"	18"	20"	22"	24"	26"
A	105	125	135	145	160	175	190	195	210	215	230	240	260	280
B	35	40	40	45	50	55	55	55	60	65	70	75	80	85
Ø D	M14	M18	M18	M18	M22	M24	M27	M27	M30	M33	M33	M33	M36	M40
Adedi	8	8	8	12	12	12	16	20	20	24	24	24	24	28

ÇİVATA KILIFI EBADLARI

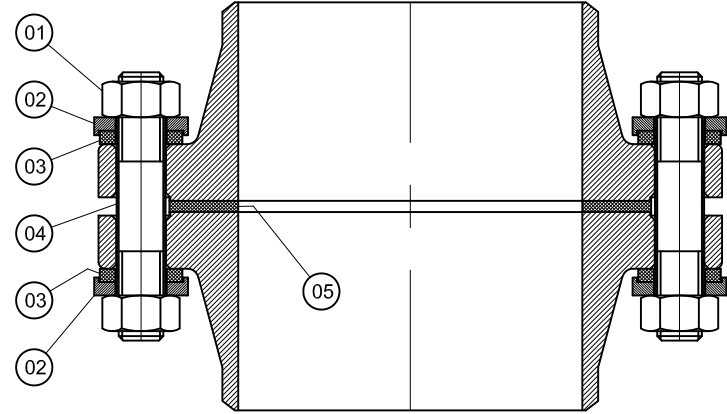
FLANŞ	2"	3"	4"	6"	8"	10"	12"	14"	16"	18"	20"	22"	24"	26"
C	70	80	90	105	115	125	130	135	145	150	160	170	175	180
Ø E	14.2	18.2	18.2	18.2	22.2	24.2	27.2	27.2	30.2	30.2	30.2	30.2	36.2	40.2
Ø F	16	20	20	20	24	26	29	29	32	32	32	32	38	42
Adedi	8	8	8	12	12	12	16	20	20	24	24	24	24	28

RONDELA (İZOLASYON)

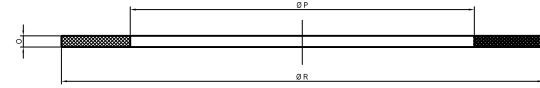
FLANŞ	2"	3"	4"	6"	8"	10"	12"	14"	16"	18"	20"	22"	24"	26"
G	5	5	5	5	5	5	5	5	5	5	6	6	6	6
Ø H	17	21	21	21	25	27	30	30	33	33	33	33	39	43
Ø I	30	35	35	35	40	46	50	50	56	56	56	56	66	76
Adedi	16	16	16	24	24	24	32	40	40	48	48	48	48	56

RONDELA (ÇELİK)

FLANŞ	2"	3"	4"	6"	8"	10"	12"	14"	16"	18"	20"	22"	24"	26"
J	6	6	8	8	8	8	8	8	8	8	10	10	10	10
Ø K	17	21	21	21	25	27	30	30	33	33	33	33	39	43
Ø L	35	40	40	40	45	50	55	55	61	61	61	61	71	80
Ø M	31	36	36	36	41	47	51	51	57	57	57	57	67	77
N	2	2	2	2	2	2	2	2	2	2	3	3	3	3
Adedi	16	16	16	24	24	24	32	40	40	40	48	48	48	56



05



CONTA

FLANŞ	2"	3"	4"	6"	8"	10"	12"	14"	16"	18"	20"	22"	24"	26"
O	5	5	5	5	5	5	5	5	5	5	6	6	6	6
Ø P	52	78	102	154	202	254	303	333	381	428	477	529	574	624
Ø R	92	127	157	216	270	323	381	412	470	533	584	640	692	748

Rev. No.	Date	Description	Prepared	Checked	Approved	Signature
A	09.09.2015	ISSUED FOR REVIEW	T.K.	E.D.	E.D.	E.T.

EDOPEC
ENERJİ PETROL MÜHENDİSLİK SANAYİ VE TİCARET
LİMİTED ŞİRKETİ

Document Title
İZOLELİ FLANŞ BAĞLANTI
ELEMENLARI 300 Class (F Tipi)

Project Document No.

Rev.	Scale
A	-

EDOPEC ENERJİ PETROL MÜHENDİSLİK SANAYİ VE TİCARET LİMİTED ŞİRKETİ
M.44 Sok. Akatlar Mahallesi
Etiler - Beşiktaş / İstanbul / Türkiye
www.edopec.com.tr

Doc. Code	Doc. Type	Doc. Code	Doc. Type	Doc. Code	Doc. Type	Doc. Code	Doc. Type
EDO	DRG	CODE	CDR	INT	XXX	15	560

Rev. No: 00 Rev. Tarihi: 09.09.2015