

ANODE PERFORMANCE VALUES

Theoretical current capacity	Ah/kg.	2200
Theoretical current capacity	kg./Ayr	3.94
Anode Efficiency (*) : %	-	50
True current capacity	Ah/kg.	1100
True current capacity	kg./Ayr.	7.88
Electrode Potential	V	1.55-1.75
(According to Cu/CuSO4 electrode at sea water)		
According to Iron, closed circuit potential	mV	650
Density	g/cm3	1.74

(*) Anode efficiency depend on
 with drawal current intensity from Anode.
 If current density increase, anode efficiency increase.
 Anode efficiency at chart, current
 withdrawal valve 0.03mA/cm2 from anode.

ANODE CHEMICAL COMPOSITION

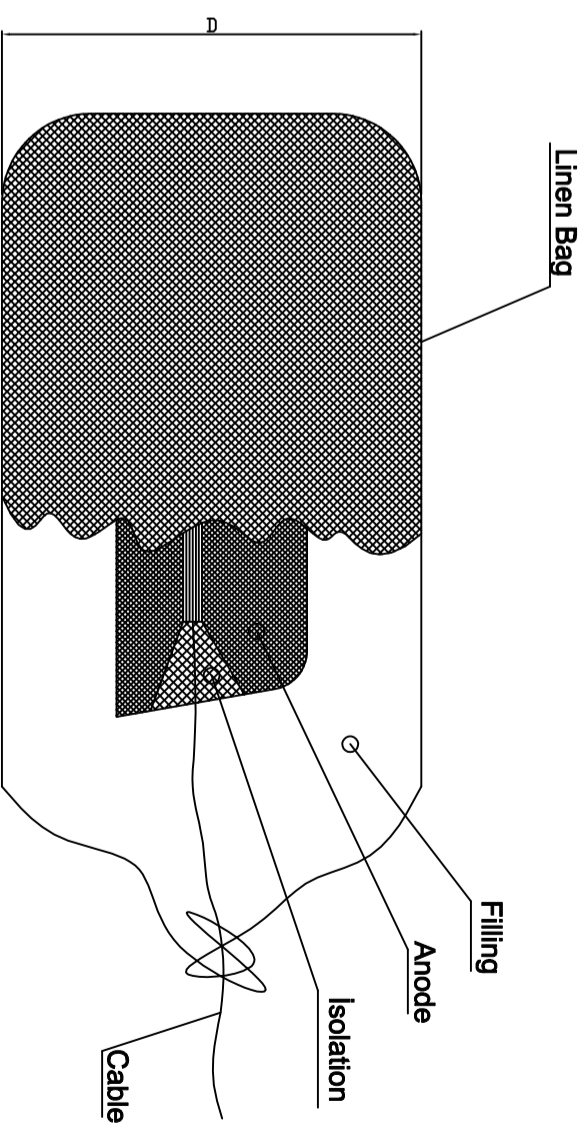
MAGNESIUM CHEMICAL COMPOSITION				
Element	EDO.XYLB- HPMG Hi-Potential	EDO.XYLB- HIMG-H-I Grade	EDO.XYLB- HMG Grade II	EDO.XYLB-H2- MG Grade III
Al	0.010% max	5.0 - 7.0%	5.3 - 6.7%	5.3 - 6.7%
Mn	0.50 - 1.30%	0.15% min	0.15% min	0.15% min
Zn	0.05% max	2.0 - 4.0%	2.5 - 3.5%	2.5 - 3.5%
Si	0.05% max	0.30% max	0.30% max	0.10% max
Cu	0.02% max	0.1% max	0.05% max	0.02% max
Ni	0.001% max	0.003% max	0.003% max	0.002% max
Fe	0.001% max	0.001% max	0.001% max	0.001% max
Other	0.05% each or 0.30% total	0.30% max	0.30% max	0.30% max
Magnesium	Remainder	Remainder	Remainder	Remainder

ANODE DIMENSION

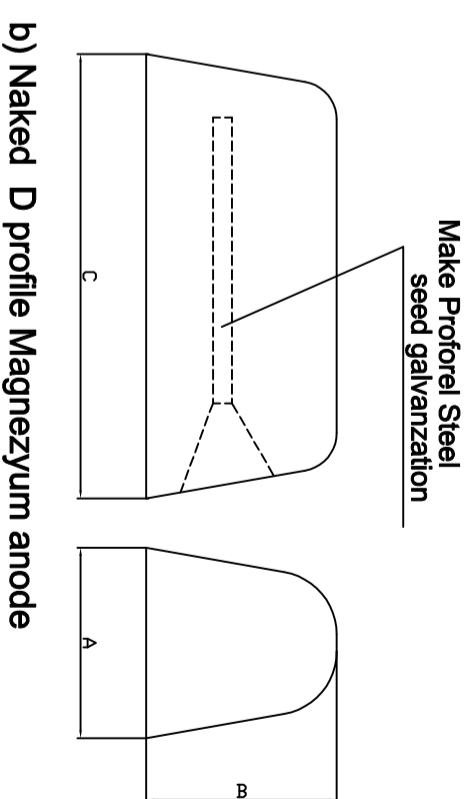
Anode Type	Bare Weight,kg	Packaged Weight,kg	Bare Anode Size-SI				
			A	B	C	D	E
EDO-3LB-XXX	1.36	4.08	70 mm	60 mm	220 mm	160 mm	350 mm
EDO-3.5 LB-XXX	1.50	6.00	60 mm	70 mm	255 mm	160 mm	370 mm
EDO-5LB-XXX	2.27	8.00	70 mm	60 mm	300 mm	160 mm	440 mm
EDO-6.5 LB-XXX	2.96	11.00	60 mm	70 mm	440 mm	160 mm	500 mm
EDO-9LB-XXX	4.08	10.89	100 mm	100 mm	250 mm	170 mm	430 mm
EDO-10LB-XXX	4.55	16.00	100 mm	100 mm	320 mm	170 mm	440 mm
EDO-11LB-XXX	4.99	16.33	100 mm	100 mm	350 mm	170 mm	500 mm
EDO-17LB-XXX	7.71	19.05	100 mm	100 mm	540 mm	180 mm	740 mm
EDO-20LB-XXX	9.07	31.75	100 mm	100 mm	620 mm	180 mm	800 mm
EDO-22LB-XXX	9.96	29.94	140 mm	140 mm	340 mm	200 mm	530 mm
EDO-32LB-XXX	14.51	35.00	140 mm	140 mm	500 mm	200 mm	640 mm
EDO-44LB-XXX	19.96	60.33	127 mm	120 mm	990 mm	200 mm	1130 mm
EDO-48LB-XXX	21.77	43.54	127 mm	120 mm	1090 mm	200 mm	1250 mm

Note : Tolerance of Dimensions. %3
 Tolerance of Weight. %5
 All Dimensions "mm"

a) Magnezyum anode Package



ANODE DETAIL



No.	Date	Description	Prepared	Checked	Approved	Signature
B	01.11.2018	ISSUED FOR REVIEW	T.K.	E.D.	E.D.	ET
A	01.11.2018	ISSUED FOR REVIEW	T.K.	E.D.	E.D.	ET

EDOPEC ENERJİ PETROL MÜHÜRÜSÜLİK SANAYİ VE TİCARET
 LİMİTED ŞİRKETİ

Document Title
 MAGNEZYUM ANOT

Revizyon	Revizyon No	Revizyon Açıklaması	Revizyon Tarihi	Revizyon Yapan	Revizyon Kontrol
B	-	-	-	-	-